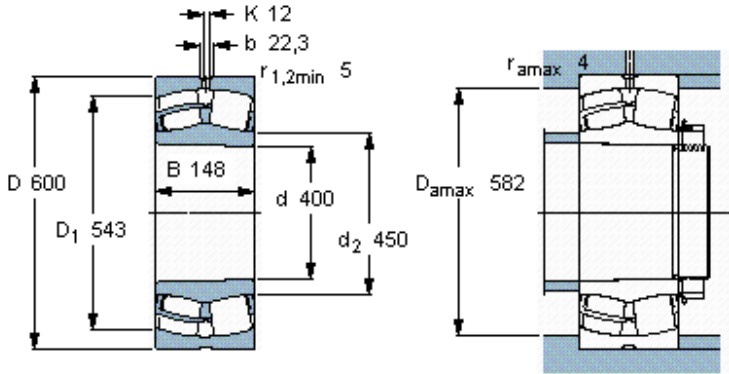


Spherical roller bearings, cylindrical and tapered bore

Principal dimensions			Basic load ratings		Speed ratings	Limiting speed	Designation
d	D	B	dynamic C	static C0	Reference speed		* SKF Explorer bearing
mm			kN		r/min		-
<b>400</b>	600	148	3511	5850	850	1100	23080 CCK/W33 *



Tapered bore, taper  
1: 12

**Calculation factors**

- e 0,23
- $Y_1$  2,9
- $Y_2$  4,4
- $Y_0$  2,8